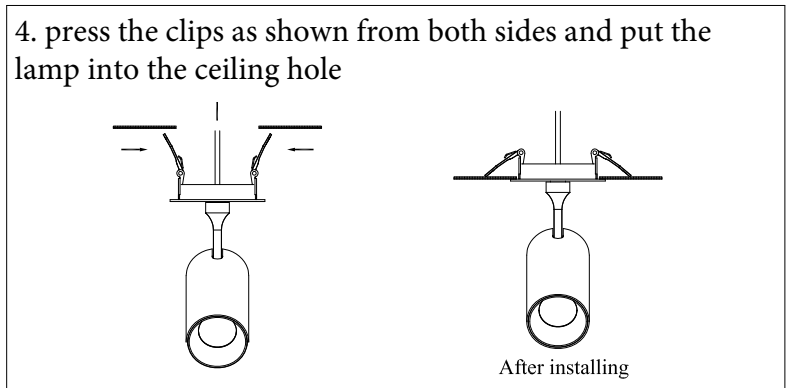
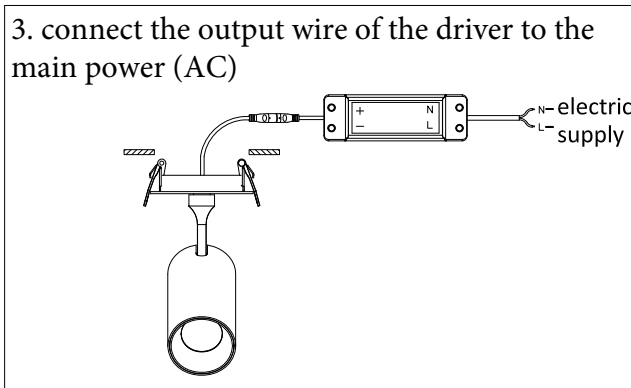
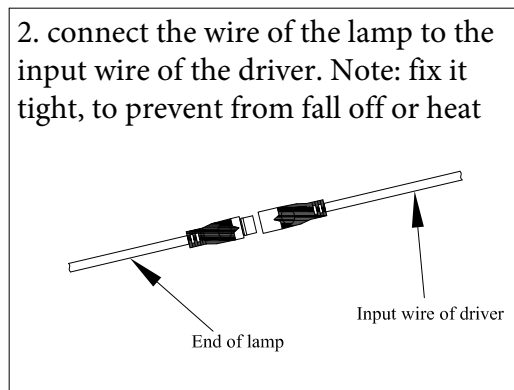
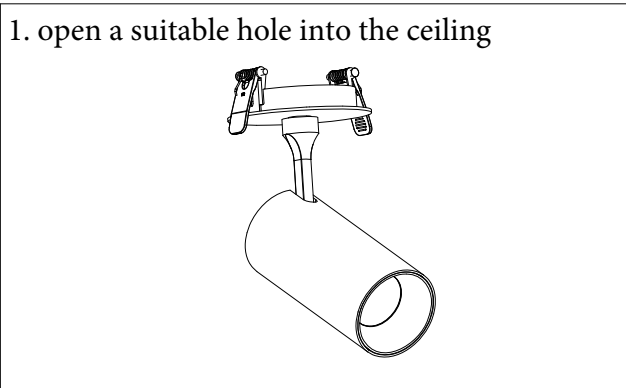




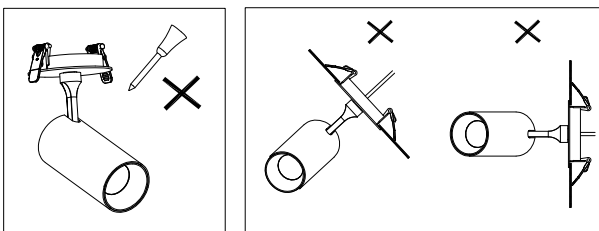
INSTALLATION MANUAL

Safety tips before starting

- *Let always an expert/authorized technician make the installation.
- *Before you start please shut off the power to prevent electric shock.
- *The products with energetic class II do not require the Earth / Ground connection so please do not connect the neutral if is not required. Instead, if the item is class energetic I, please do connect the neutral to Earth.
- *Consider always to leave some space for the heat sink of the led device, it need it to cool down after use
- *Do not connect any Led device without its recommended driver
- *Your individual product may vary from the design shown in the pictures
- *Do not disassemble your product
- *If any modification is made in the item or any wrong installation cause any damage to it, the warranty will be invalidated.

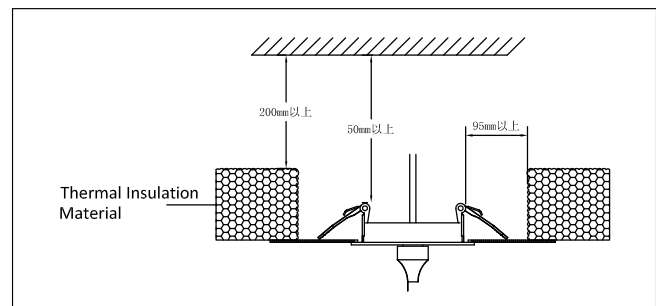


Additional tips on the item's installation



- X1 - do not take apart any piece of the lamp's internal structure in at anytime
- X2 - do not install in sloping ceiling
- X3 - do not intall in the wall

Ideal mounting position and space distribution



Thanks for your purchase !