

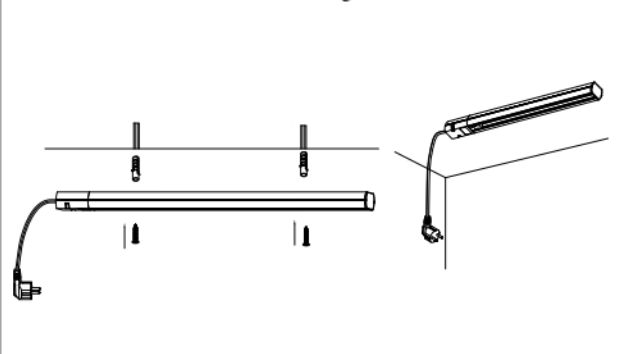


## \*\*\*INSTALLATION MANUAL\*\*\*

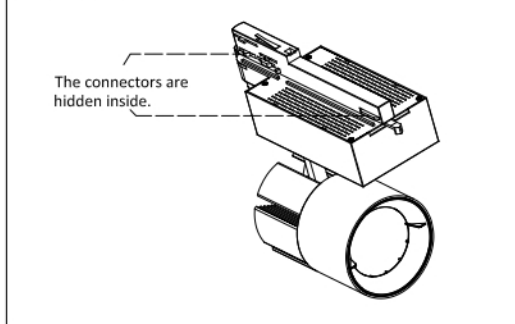
### Safety tips before starting

- \*Let always an expert/authorized technician make the installation.
- \*Before you start please shut off the power to prevent electric shock.
- \*The products with energetic class II do not require the Earth / Ground connection so please do not connect the neutral if is not required. Instead, if the item is class energetic I, please do connect the neutral to Earth.
- \*Consider always to leave some space for the heat sink of the led device, it need it to cool down after use
- \*Do not connect any Led device without its recommended driver
- \*Your individual product may vary from the design shown in the pictures
- \*Do not disassemble your product
- \*If any modification is made in the item or any wrong installation cause any damage to it, the warranty will be invalidated.

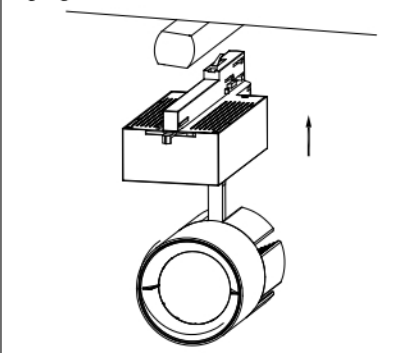
1. install the track rail on the ceiling



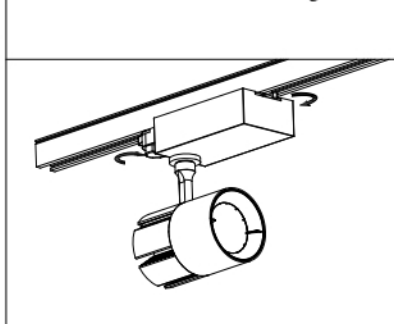
2. turn the handle of connector to the right position as illustrated



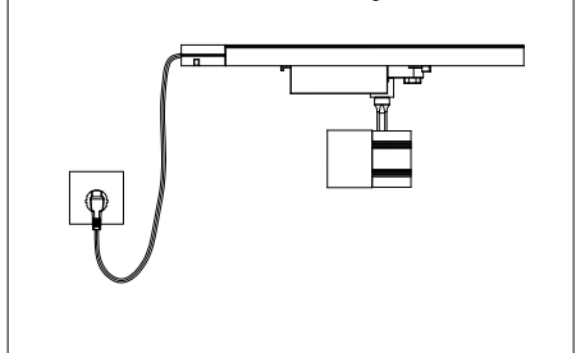
3. plug the connector into the track rail



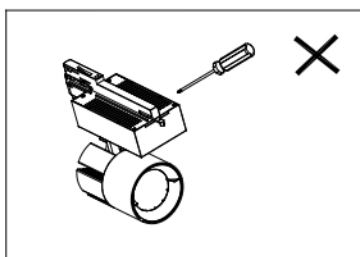
4. turn the handle of connector 90° as illustrated and clock the tracklight



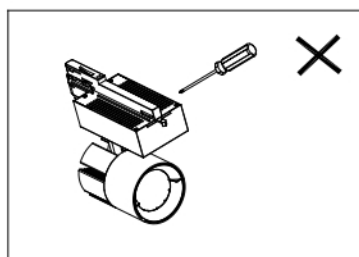
5. connect the track wire to the main power (AC)



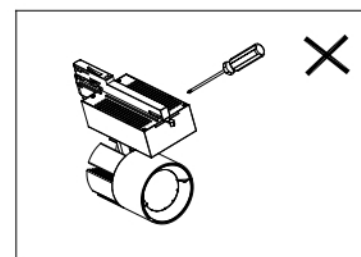
### Additional tips on the item's installation



X1 - do not take apart any piece of the lamp's internal structure in at anytime



X2 - do not install in sloping ceiling



X3 - do not intall in the wall

Thanks for your purchase !