

**Objective**

Industrial LED vapor-tight lights are the heavy-duty, super-bright alternative to traditional tube and strip light fixtures. Perfect for harsh environments and dry or wet location applications, including industrial kitchen, paint booth, laundromats, parkings, gas stations, car washes, food processing plants, and more. The high efficiency LED system delivers high performance of luminous flux, reaching more than 10000 lumen of various colour temperatures illumination. And with a life expectancy 5 times as long as fluorescent or halogen fixtures, the LED light reduces repair costs, disposal fees, and the need for replacements.

**Obiettivo**

Le luci industriali a tenuta di vapore a LED sono l'alternativa super-brillante e resistente alle lampade tradizionali a tubi e strisce. Perfetto per ambienti difficili e applicazioni in luoghi asciutti o bagnati, tra cui cucine industriali, cabine di verniciatura, lavanderie automatiche, parcheggi, stazioni di servizio, autolavaggi, impianti di lavorazione alimentare e altro ancora. Il sistema LED ad alta efficienza offre elevate prestazioni di flusso luminoso, raggiungendo più di 10000 lumen in varie temperature di colore. E con un'aspettativa di vita 5 volte più lunga di apparecchi fluorescenti o alogeni, la luce a LED riduce i costi di riparazione, le spese di smaltimento e la necessità di sostituzioni.

**Description**

**Housing** - Made of GRP & Polycarbonate purity raw material supplied with stainless steel 316 clips, and IP66 gland can fit from the side or back of housing.

**Diffuser** - PMMA polycarbonate anti yellowing unbreakable specially for LED fit over an injected gasket rubber.

**Reflector** - White aluminum back sheet.

**LED** - reducing energy consumption with L80/B10/F10 50,000 hrs lifetime.

**Standards** - manufactured in accordance with EN 60598-1 and 60598-2-1

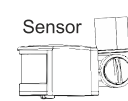
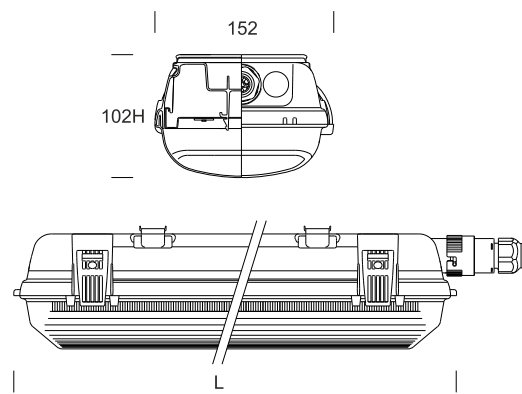
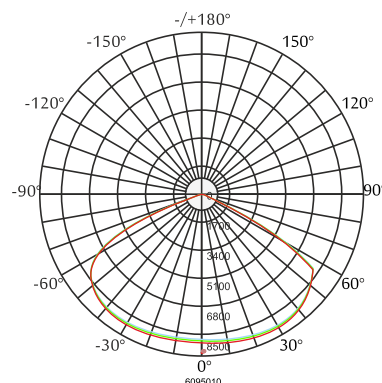
**Accessories** - Hanging clamp kit with waterproof IP66 cable gland.

Remote sensor kit, 3Hrs emergency kit.

CODE	WATTAGE	LUMEN	SIZE mm
1702020	20W	3200lm	690 X 152 X 102H
1702136	36W	5760lm	1300 X 152 X 102H
1702248	48W	7680lm	1300 X 152 X 102H
1702358	58W	9280lm	1600 X 152 X 102H
1702468	68W	10880lm	1600 X 152 X 102H



LED	ENERGY STAR	ECO	DIFFERENT LENGTH
PHASE DIMMING	DALI	1-10 DIMMING	
55°C	Glowing Wire	Test - 850°	
-25°C			
IP 66	IK 08	UGR <19	SDCM 2.0/3.0
CIDET	EAC	COMPLIANCE LM-79 TM-21 LM-80	
PASEL ACCREDITATION	SMD	CRI >90	
RoHS	SELV	F	series wiring
CE	COMPLIANCE	U	
<b>A++</b>	85-265V 50/60Hz		



- TRIO
- 2700K
- 3000K
- 4000K
- 5000K
- 6000K
- 6500K



LED Drivers - PHILIPS

LED Chips - BRIDGELUX SHARP SAMSUNG PHILIPS CITIZEN

In a continuing effort to offer the best product possible, we reserve the right to change, without notice, specifications or materials that in our opinion will not alter the function of the product. Specification sheets found at [www.romaluce.it](http://www.romaluce.it) are the most recent versions and supercede all other printed or electronic versions.