

**Objective**

Designed to illuminate avenues, walkways, pathways, gardens and parks without glaring, it is available with two types of emission: 360 ° or 180 °. The item has the classic design of a bollard light, available with little differences in the top shape to satisfy the details lovers. The light source is an LED high efficiency system, which ensures high performances while saving energy. All the items have features like easy installation, very low maintenance needs and full safety for electrical systems and people.

**Obiettivo**

Progettato per illuminare senza abbagliare viali, camminamenti, vialetti, giardini e parchi, è disponibile con due tipologie di emissione: 360 ° o 180 °. L'articolo ha il design classico di un paletto luminoso, disponibile con piccole differenze nella forma superiore per soddisfare gli amanti dei dettagli. La sorgente luminosa è un sistema LED ad alta efficienza, che garantisce elevate prestazioni risparmiando energia. Tutti gli articoli hanno caratteristiche come facilità di installazione, esigenze di manutenzione molto basse e piena sicurezza per gli impianti elettrici e le persone.

**Description**

**Housing** - Die cast aluminium powder coated with choice of RAL colors.

**Diffuser** - Clear polycarbonate anti UV diffuser.

**Reflector** - Anodized Polished specular aluminum reflector.

**LED** - reducing energy consumption with L80/B10/F10 60,000 hrs lifetime.

**Standards** - manufactured in accordance with IEC 60598, IEC 60598-1, 60598-2-1, IEC 60529 and IEC 62262

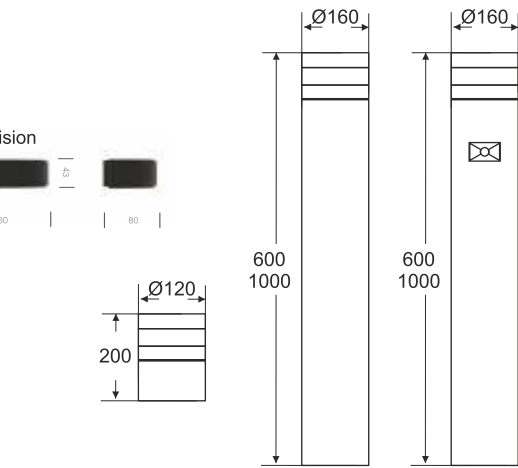
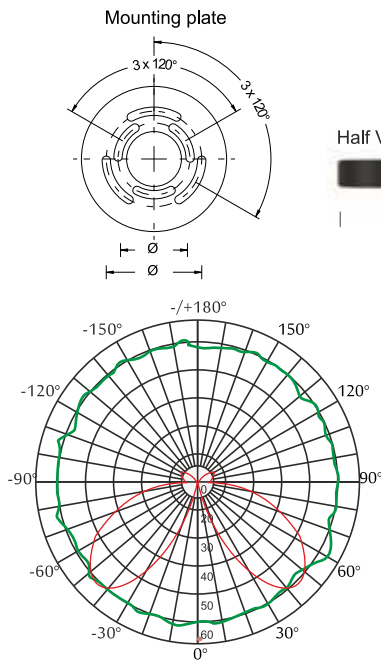
**Colors** - White, Black, Corten, Sand, Dark Grey, Light Grey

**Accessories** - IP 68 Fast connector, Half Vision

CODE	WATTAGE	LUMEN	SIZE mm
1334224	24W	2880lm	Ø120 X 200 H
1334324	24W	2880lm	Ø160 X 600 H
1334424	24W	2880lm	Ø160 X 1000 H
1334524	24W	2880lm	Ø160 X 1000 H Infrared motion sensor



Anti Glare	ECO	LED	CRI >90
PHASE DIMMING	DALI	1-10 DIMMING	ENERGY STAR
65°C	Glowing Wire Test - 850°		
-20°C	IP 65	IK 10	UGR <22
	SDCM 3.0/4.0	COMPLIANCE	
	LM-79 TM-21	LM-80	
PASEL ACCREDITATION	SMD	LM-82	
SELV	ROHS	SLT-SP	
CE	COMPLIANCE	U	
<b>A++</b>		220~265V 50/60Hz	



Anchor Bolt Half Vision

2700K  
3000K  
4000K  
5000K  
6000K  
6500K

180° 360°



LED Drivers - PHILIPS GTCI TRIDONIC LED Chips - BRIDGELUX CREE NICHIA SHARP SAMSUNG PHILIPS CITIZEN

In a continuing effort to offer the best product possible, we reserve the right to change, without notice, specifications or materials that in our opinion will not alter the function of the product. Specification sheets found at [www.romaluce.it](http://www.romaluce.it) are the most recent versions and supercede all other printed or electronic versions.

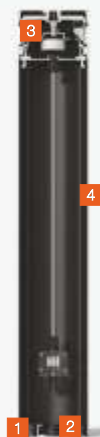


1 - Impact-resistant base

2 - Integrated invisible base

3 - Anti-glare reactor

4 - In & out IP65



Half shield of bollard head. Light emits 180°. Slide shield, the 180° light distribution direction is adjustable as required.



180° slide shield

