

**Objective**

Typical recessed underwater light with all Roma Luce team experience. The resultant light is bright, pleasant, homogeneous and comfortable. Suitable for pool area especially, but even where more resistance to hard weather and humidity conditions is required. The LED is high efficient and promises considerable energy saving. Protection class IP68 – up to 5m water depth special corrosion-proof version made marine grade 904L high corrosion stainless steel 1.4539 for pools with increased saltwater concentration (up to 3.5 %) Round attachment cover, made of high corrosion stainless steel 904L.

**Obiettivo**

Tipica luce subacquea da incasso con tutta l'esperienza del team di Roma Luce. La luce risultante è luminosa, piacevole, omogenea e confortevole. Adatto soprattutto all'area della piscina, ma anche dove è richiesta una maggiore resistenza alle intemperie e all'umidità. Il LED è altamente efficiente e promette un notevole risparmio energetico. Classe di protezione IP68: fino a 5 m di profondità, versione speciale resistente alla corrosione in acciaio inossidabile 904L di grado marino 1.4539 per piscine con maggiore concentrazione di acqua salata (fino al 3,5%) Copertura rotonda per accessori, in acciaio inossidabile 904L.

**Description**

**Housing** - Made of 316L high corrosion resistance stainless steel sealed with silicon & rubber gasket.

**Diffuser** - Tempered Glass diffuser specially for LED with PMMA optical lens.

**LED** - reducing energy consumption with L80/B10/F10 50,000 hrs lifetime.

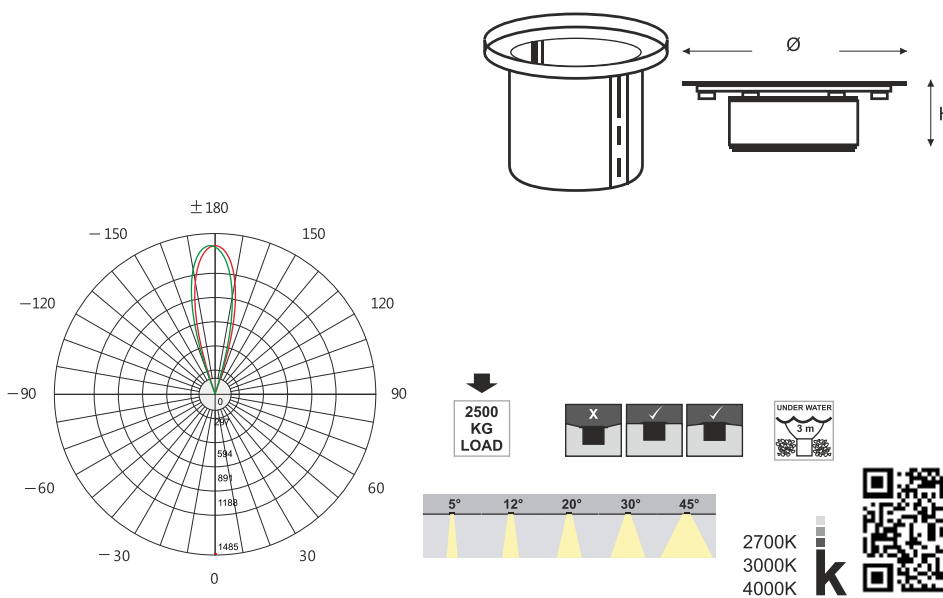
**Standards** - manufactured in accordance with EN 60598-1 and 60598-2-1

**Accessories**- Recessed PVC box.

CODE	WATTAGE	LUMEN	SIZE mm	Ø
1100806	6X1W	680lm	Ø135 X 54 H	Ø122
1100812	6X2W	1380lm	Ø180 X 54 H	Ø157
1100818	6X3W	2070lm	Ø180 X 54 H	Ø157
1100824	12X2W	2760lm	Ø205 X 54 H	Ø170
1100836	12X3W	4140lm	Ø205 X 54 H	Ø170



LED	Energy Star	Glowing Wire Test - 850°	
PHASE DIMMING	DALI	1-10 DIMMING	
65°C	Strict Operation Under water		
-20°C	IP 68	IK 10	UGR <21
			SDCM 2.0/3.0
CIDET	EAC	COMPLIANCE LM-79 TM-21 (TM-80)	
PASEL ACCREDITATION	SMD	CRI >90	
ROHS	SELV	F	series wiring
CE	COMPLIANCE	U	
A++	DC 12V	DC 24V	



LED Drivers - PHILIPS GTI MEAN WELL GTCI TRIDONIC LED Chips - BRIDGELUX CREE SHARP SAMSUNG PHILIPS CITIZEN

In a continuing effort to offer the best product possible, we reserve the right to change, without notice, specifications or materials that in our opinion will alter the function of the product. Specification sheets found at [www.romaluce.it](http://www.romaluce.it) are the most recent versions and supercede all other printed or electronic versions.