

Objective

Modern-cut design in a durable and robust smart structured body with 2 detachable parts for easy installation and maintenance. This high performance 140 lm/W led luminaire comes in a variety of power ranges that make it suitable for different applications: Fast-speed, Medium-speed and Low-speed roads, Parking lots, Outdoor sport grounds, Square centres. A special vent is integrated into the body to avoid internal fogging and/or frosting, a choice of professional optics is available for the best application match. Smart control options available: timer control dimming, photocell, DALI system. The impeccable high level finish is a grey RAL9006 marine grade powder coating.

Obiettivo

Taglio moderno nel design in un modello robusto e durevole, caratterizzato da una struttura intelligente in due parti distinte per manutenzione ed installazione facilitate all'operatore. Questa luminaria dalle prestazioni elevate (140lm/W) è disponibile in una varietà di potenze così da renderla adattabile a differenti impieghi: strade ad alta, media e bassa velocità, parcheggi, campi sportivi all'esterno, piazza/piazzole. Una special ventola è integrata nel corpo della luminaria in modo da prevenire appannamento e/o congelamento interno, un'ampia scelta di accessori ottici è disponibile per il migliore abbinamento possibile con luogo e scopo d'impiego. Opzioni di controllo intelligente: controllo dimmerabile a tempo, fotocellula, Sistema DALI. La finitura impeccabile è ottenuta con speciale trattamento anticorrosivo di verniciatura a polvere in colore grigio RAL9006.

Description

Housing - Made of die cast aluminum with choice of RAL color corrosion & salt resistance polyester coating.

Diffuser - Tempered clear glass with Optical PMMA lens high resistance to temperature and UV radiation.

LED - reducing energy consumption with L80/B10/F10 50,000 hrs and optional 100,000 hrs life time depends on diode version.

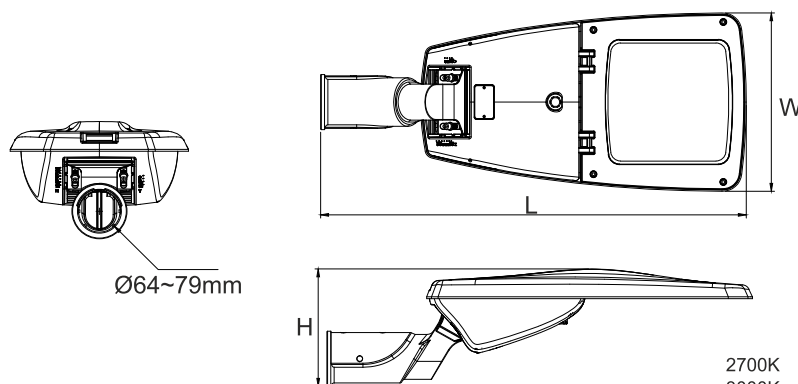
Standards - manufactured in accordance with EN 61643-11

Accessories - 5/7 Pin Photocell socket, surge protection device up 10KV, (OTP) Automatic temperature control device in events of unexpected LED temperature raised.



CODE	WATTAGE	LUMEN	SIZE mm
1339130	30W	4200lm	649 X 272 X 179mm
1339150	50W	7000lm	649 X 272 X 179mm
1339170	70W	9800lm	649 X 272 X 179mm
1339190	90W	12600lm	762 X 336 X 179mm
13391120	120W	16800lm	762 X 336 X 179mm
13391150	150W	21000lm	762 X 336 X 179mm
13391180	180W	25200lm	889 X 378 X 192mm
13391240	240W	33600lm	889 X 378 X 192mm
13391300	300W	42000lm	889 X 378 X 192mm

LED	ENERGY STAR	ECO
PHASE DIMMING	DALI	1-10 DIMMING
70°C	Glowing Wire	-20°C
IP 67	IK 10	UGR <22
CIDET	EAC	SDCM 2.0/3.0
PASEL ACCREDITATION	SMD	COMPLIANCE LM-79 TM-21 LM-80
ROHS	SELV	CRI >90
CE	COMPLIANCE	series wiring
A++	220~265V	50/60Hz



- 2700K
- 3000K
- 4000K
- 5000K
- 6000K
- 6500K

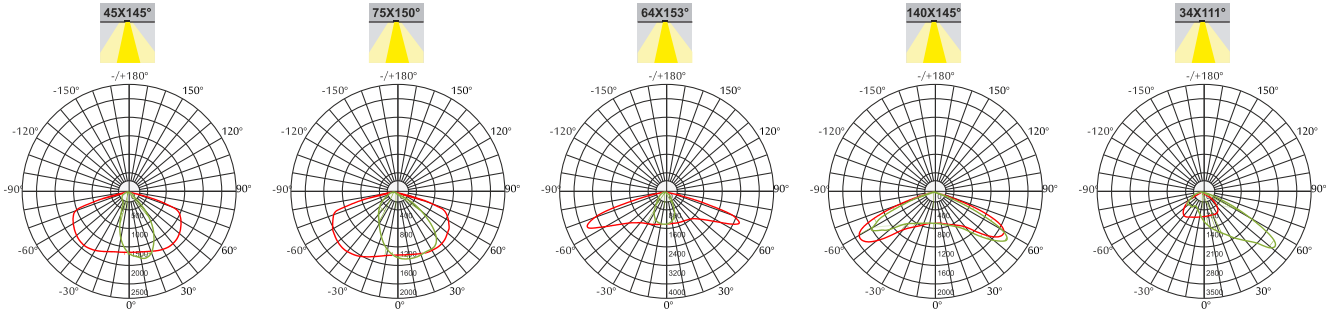


LED Drivers - PHILIPS GTI | MEAN WELL | GTCI TRIDONIC | LED Chips - BRIDGELUX | CREE | SHARP | SAMSUNG | PHILIPS | CITIZEN

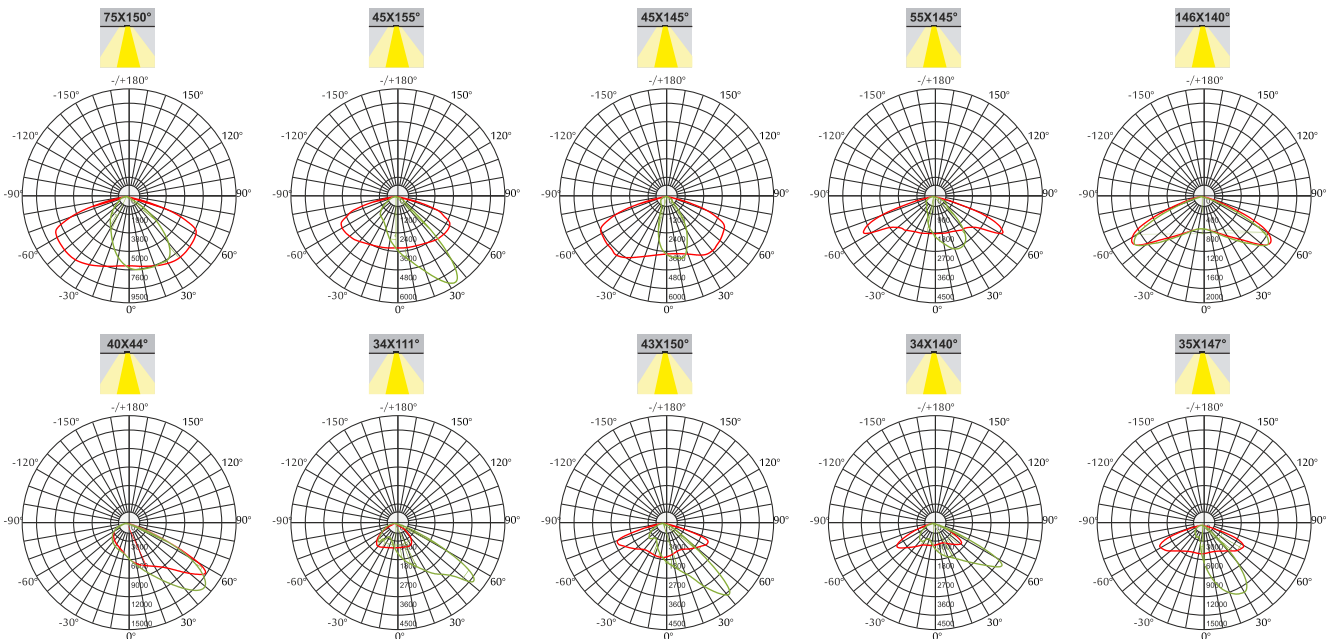
In a continuing effort to offer the best product possible, we reserve the right to change, without notice, specifications or materials that in our opinion will not alter the function of the product. Specification sheets found at www.romaluce.it are the most recent versions and supercede all other printed or electronic versions.

Photometric - Data

30 - 70W



90 - 150W



180 - 300W

