

**Objective**

Flexy3D is the idea of having a homogenous continuous lighting effect line without any dots or dark zone. Our Flexy3D all sides bendable and highly durable linear LED solutions – suitable for both indoor and outdoor applications. To achieve a uniform and diffused light output our Flexy3D range encapsulates LED strips with high-quality PCB & LED chips inside a flexible 4OZ case. The protective casing prevents UV damage, is waterproof, step proof, as well as flame and solvent-resistant. We offer a range of dimensions and color temperatures depending on the environment our fixture can be mounting as surface, recessed, and semi-recessed. Our Flexy3D is available in PVC versions using the best PU (Polyurethane) standards of material. The new range of silicone encapsulated Flexy3D is designed using high-grade silicone which enables it to withstand extreme temperatures. The silicone further prevents the build-up of dirt and dust, making it the first to come with a self-cleaning property.

**Obiettivo**

Flexy3D nasce dall'idea di avere una linea omogenea di effetti luminosi continui senza punti o zone scure. Le nostre soluzioni LED lineari Flexy3D pieghevoli su tutti i lati e altamente durevoli, adatte sia per applicazioni interne che esterne. Per ottenere un'emissione luminosa uniforme e diffusa, la nostra gamma Flexy3D incapsula strisce LED con PCB e chip LED di alta qualità all'interno di una custodia flessibile da 4 OZ. L'involucro protettivo previene i danni UV, è impermeabile, a prova di calpestio, nonché resistente alla fiamma e ai solventi. Offriamo una gamma di dimensioni e temperature di colore a seconda dell'ambiente in cui il nostro apparecchio può essere montato come superficie, incasso e semi-incasso. Il nostro Flexy3D è disponibile nelle versioni in PVC utilizzando i migliori standard di materiale PU (poliuretano). La nuova gamma di Flexy3D incapsulati in silicone è progettata utilizzando silicone di alta qualità che gli consente di resistere a temperature estreme. Il silicone previene ulteriormente l'accumulo di sporco e polvere, rendendolo il primo ad avere proprietà autopulenti.

**Description**

The fixture is made of Cooper string built with LED chips on parallel connection isolated with polyurethane PU. PVC, extrusion on shapes of tube where you have the function of bending on 2 sides anti-UV polyurethane filling and processing using irrigation method and sealing waterproofing glue, it not only ensures a high quality of lighting colour consistency but also protects outdoor products against harsh environments and high humidity. It can be used for facade lighting and guidance lighting outdoors, the higher CRI (90) delivers good performance of lighting in colour rendering.

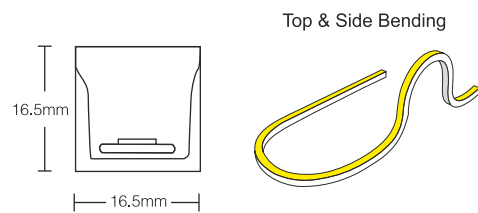
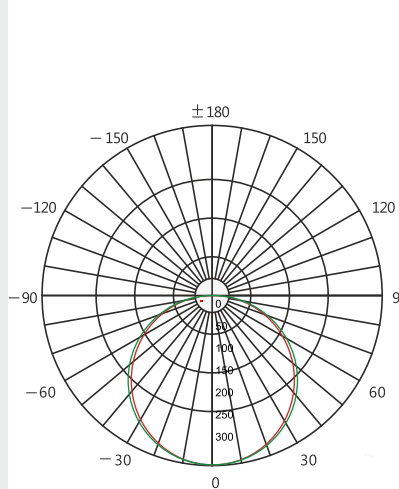
**LED** - reducing energy consumption with L80/B10/F10 50,000 hrs lifetime.

**Standards** - manufactured in accordance with EN 60598-1 and 60598-2-1

CODE	WATTAGE	LUMEN	SIZE mm	Max Length
7048504	4.8W	528lm	16.5 X 16.5H	10,000mm
7048509	9.6W	1056lm	16.5 X 16.5H	10,000mm
7048512	12W	1320lm	16.5 X 16.5H	10,000mm
7048514	14.4W	1584lm	16.5 X 16.5H	10,000mm



LED	EMERSON	ECO	Flame Resistant
PHASE DIMMING	DALI	0-10 DIMMING	1-10 DIMMING
55°C	Glowing Wire Test - 850°	-25°C	
IP 65	IK 08	UGR <22	SDCM 2.0/3.0
IP 67		COMPLIANCE	LM-79 TM-21
IP 68			LM-80
CIDET	EAC		
PASEL ACCREDITATION	SMD	CRI >90	
SELV		series wiring	
RoHS			
CE	COMPLIANCE		
A++	DC 24V		



2700K  
3000K  
4000K  
5000K  
6000K  
6500K

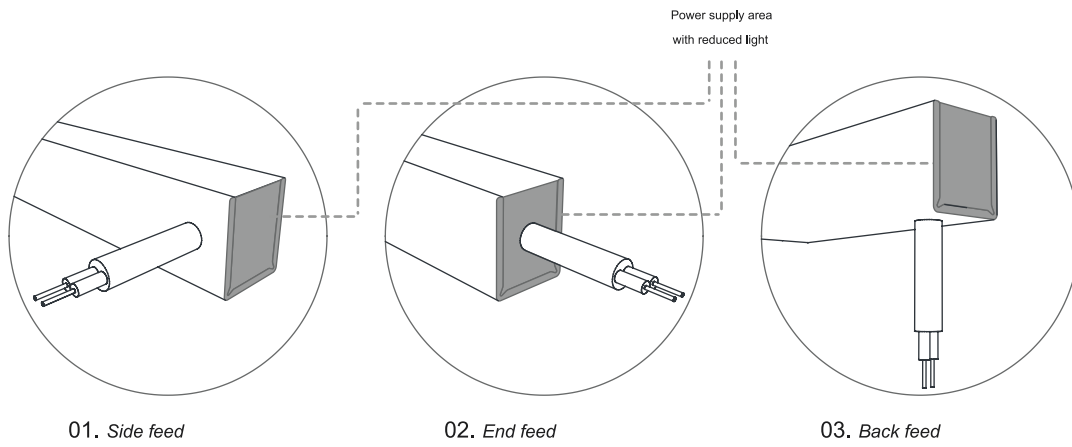
120°

RGB  
RGBW

LED Drivers - PHILIPS GTI | LED Chips - BRIDGELUX, CREE, SHARP, SAMSUNG, PHILIPS, CITIZEN

In a continuing effort to offer the best product possible, we reserve the right to change, without notice, specifications or materials that in our opinion will not alter the function of the product. Specification sheets found at www.romaluce.it are the most recent versions and supercede all other printed or electronic versions.

Power cable exit

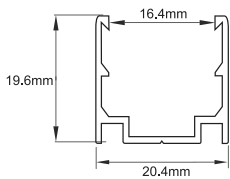


Installation notes



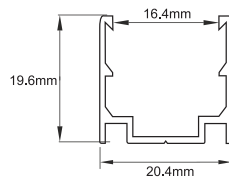
Note. The strip is vertical bendable. Curve the profile only in the indicated axis. In case of non-observance of the given indication, the electrical functionality of the product will be compromised, with consequent luminous interruption of the LED strip. Do not twist it.

Mounting accessories



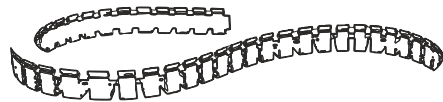
Aluminum Profile

Rigid aluminum outercase. Suitable for both indoor and outdoor use, it can be cut on site and adapted to the installation required. The profile must be drilled, flared and screwed to the wall with countersunk screw. Supplied in lengths of 3 meters.



Stainless steel clip

Stainless steel clip, particularly suitable in outdoor use with particularly aggressive areas such as marine areas, swimming pools or in the presence of high humidity. The steel used is AISI 304 which guarantees a high resistance to the aggression of rust.



Flexible Profile

Customization: Many aluminum LED profiles are designed with flexibility in mind, enabling users to bend and shape them to fit curved surfaces, corners, or any specific layout requirements.