

Objective

The fixture is in polycarbonate with closing elements in AISI 316L stainless steel, and the special structure ensures SFOGLIA is able to resist up to 10 metres in depth. SFOGLIA retains its excellent technical features and is enhanced with a new optic, for the version with round section.

Obiettivo

L'infisso è in policarbonato con elementi di chiusura in acciaio inox AISI 316L, e la speciale struttura fa sì che SFOGLIA sia in grado di resistere fino a 10 metri di profondità. SFOGLIA mantiene le sue eccellenti caratteristiche tecniche e si arricchisce di una nuova ottica, per la versione a sezione tonda.

Description

Housing - Stainless Steel housing with copper ends.

Diffuser - PMMA opal V2 & anti UV or clear acrylic trim cutting diffuser built over an optical lens.

LED - reducing energy consumption with L80/B10/F10 60,000 hrs lifetime. with 3 step MacAdams Ellipse.

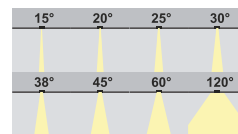
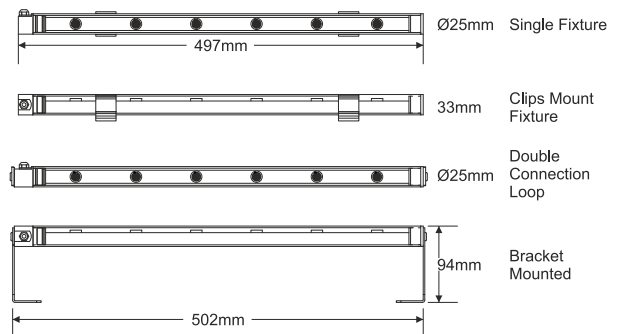
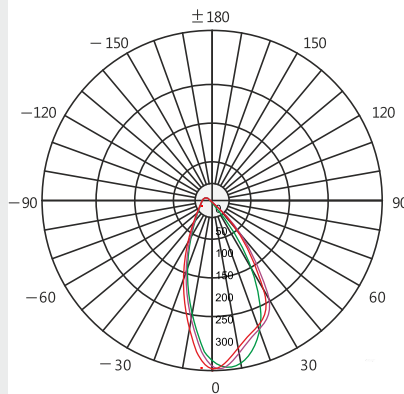
Standards - manufactured in accordance with EN 60598-1 and 60598-2-1

Accessories - Mounting clip, brackets

CODE	LED's	WATTAGE	LUMEN	SIZE mm
7050206	6-Cree XPE	6W	600lm	Ø25 X 497H
7050312	12-Cree XPE	12W	1200lm	Ø25 X 497H
7050412	54-Osram 2835	12W	1200lm	Ø25 X 497H



WATER IN & OUT	LED	ENERGY STAR	ECO
PHASE DIMMING	DALI	1-10 DIMMING	Different length
55°C	Glowing Wire Test - 850°		
-25°C	IP 68	IK 09	UGR <22
			SDCM 2.0/3.0
	CIDET	EAC	COMPLIANCE LM-79 TM-21 LM-80
	PASEL ACCREDITATION	SMD	CRI >90
			UNDER WATER 10m
	RoHS	SELV	F series wiring
	CE	COMPLIANCE	U
A++		DC 24V	



2700K
3000K
4000K
6000K



LED Drivers - PHILIPS **GTI** **MEAN WELL** **GTCL TRIDONIC** LED Chips - BRIDGELUX **CREE** **SHARP** **SAMSUNG** **PHILIPS** **CITIZEN**

In a continuing effort to offer the best product possible, we reserve the right to change, without notice, specifications or materials that in our opinion will not alter the function of the product. Specification sheets found at www.romaluce.it are the most recent versions and supercede all other printed or electronic versions.