

Objective

Single emission projectors for outdoor application. The super warm to cool LED light source with a narrow , medium , wide spot light distribution is composed of 1 power led LEDs with CCT of 2700 up to 6000 K plus RGB and a CRI 90; the source luminous flux is 960 lm, with a 120 lm/W nominal luminous efficacy. The device body is made of stainless 316l steel and features a steel finish OR POWDER COATED WITH RAL SELECTION , processed by means of brushing; the diffuser is made of extra glass - tempered with a silk-screening treatment. The ingress protection degree is IP67. MANY power options.

Obiettivo

Proiettori a singola emissione per applicazione esterna. La sorgente luminosa a LED da super calda a fredda con una distribuzione della luce spot stretta, media e ampia è composta da 1 LED a led di potenza con CCT da 2700 a 6000 K più RGB e un CRI 90; il flusso luminoso sorgente è di 219 lm, con un'efficienza luminosa nominale di 120 lm / W. Il corpo del dispositivo è realizzato in acciaio aisi 316l e presenta una finitura in acciaio O POLVERE RIVESTITA CON SELEZIONE RAL, lavorata mediante spazzolatura; il diffusore è in vetro extra temperato con trattamento serigrafico. Il grado di protezione dell'ingresso è IP67. MOLTE opzioni di alimentazione.

Description

Housing - Made of 316L stainless steel body with choice of RAL color.

High corrosion housing with stainless steel screw in additional with rubber silicon gasket supplied with stainless steel mounting brackets.

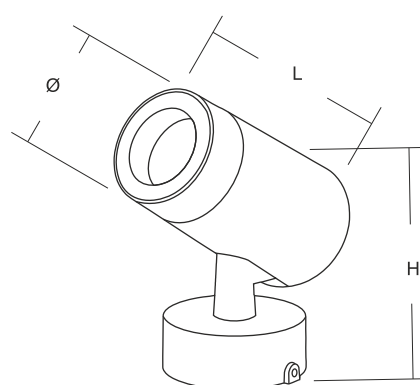
Diffuser - Tempered glass diffuser specially for LED with optical PMMA lens.

LED - reducing energy consumption with L80/B10/F10 50,000 hrs lifetime.

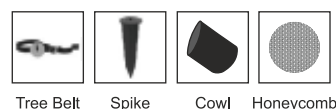
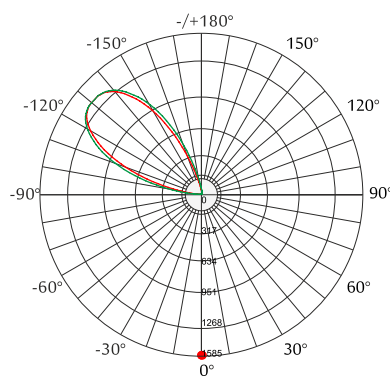
Standards - manufactured in accordance with EN 60598-1 and 60598-2-1

Accessories - Tree belt, spike, cowl, honeycomb.

CODE	WATTAGE	LUMEN	SIZE mm
2151108	8W	960lm	Ø59 X 122 X 116H
2151009	9W	1080lm	Ø59 X 122 X 116H
2151113	13W	1560lm	Ø85 X 181 X 148H
2151018	18W	2160lm	Ø85 X 181 X 148H



LED	ENERGY STAR	ECO	ROHS
PHASE DIMMING	DALI	1-10 DIMMING	CE
65°C	Glowing Wire Test - 850°	IP 67	IK 09
-20°C	UGR <21	SDCM 2.0/3.0	COMPLIANCE
CIDET	EAC	LM-79 TM-21	LM-80
PASEL ACCREDITATION	COB	CRI >90	series wiring
ROHS	SELV	F	series wiring
CE	COMPLIANCE	U	
A++	DC 24V	85-265V	50/60Hz



9°	21°	32°	44°	RGB	
				2700K	
				3000K	
				4000K	
				5000K	
				6000K	

LED Drivers - PHILIPS GTI | MEAN WELL | GTCI TRIDONIC | LED Chips - BRIDGELUX | CREE | SHARP | SAMSUNG | PHILIPS | CITIZEN

In a continuing effort to offer the best product possible, we reserve the right to change, without notice, specifications or materials that in our opinion will not alter the function of the product. Specification sheets found at www.romaluce.it are the most recent versions and supercede all other printed or electronic versions.