

Objective

With its rugged industrial aesthetic, Graffio can enhance the look and lighting of any contemporary setting. Its bell-shaped body is made of aluminum for extra durability and is also available in a variety of finishes to best suit your specific environment. Once on, a warm light funnels out the bottom, illuminating the area or surface of interest with added precision. The high power LED system ensure excellent performance while saving energy.

Obiettivo

Con la sua estetica industriale robusta, Graffio può migliorare il look e l'illuminazione di qualsiasi ambiente contemporaneo. Il suo corpo a campana è realizzato in acciaio per una maggiore durata ed è disponibile anche in una varietà di finiture per adattarsi al meglio al tuo ambiente specifico. Una volta accesa, una luce calda scava dal fondo, illuminando l'area o la superficie di interesse con maggiore precisione. Il sistema LED ad alta potenziale garantisce prestazioni eccellenti risparmiando energia.

Description

Housing - Made of die cast aluminum housing with extruded aluminum heat sink equipped with rubber gasket for weatherproof and high humidity area application

Diffuser - Prismatic PMMA lens diffuser specially for LED

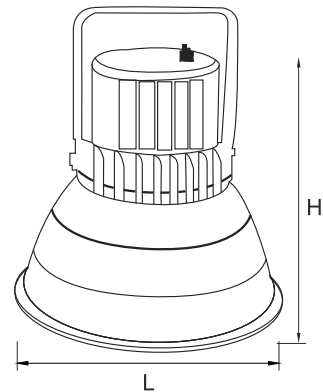
Reflector - Anodized micro aluminum reflector

LED - reducing energy consumption with L80/B10/F10 50,000 hrs lifetime.

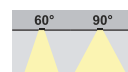
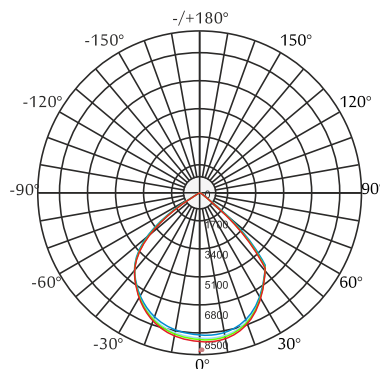
Standards - manufactured in accordance with EN 60598-1 and 60598-2-1

Accessories - Hanging steel bracket, OTP (over temperature protection kit)

CODE	WATTAGE	LUMEN	SIZE mm
17019100	100W	13000lm	Ø460 X 510 H
17019120	120W	15600lm	Ø460 X 510 H
17019150	150W	19500lm	Ø460 X 510 H
17019200	200W	26000lm	Ø460 X 510 H
17019240	240W	31200lm	Ø460 X 510 H



LED	ENERGY STAR	ECO
PHASE DIMMING	DALI	1-10 DIMMING
55°C	Glowing Wire Test - 850°	
-25°C		
IP 65	IK 09	UGR <22
		SDCM 2.0/3.0
CIDET	EAC	COMPLIANCE
		LM-78 TM-21
PASEL ACCREDITATION	HP SMD	CRI >90
SELV	F	series wiring
RoHS		
CE	COMPLIANCE	U
A++	85-265V	50/60Hz



- 2700K
- 3000K
- 4000K
- 5000K
- 6000K
- 6500K



LED Drivers - PHILIPS GTI | MEAN WELL | GTCI TRIDONIC | LED Chips - BRIDGELUX | CREE | SHARP | SAMSUNG | PHILIPS | CITIZEN

In a continuing effort to offer the best product possible, we reserve the right to change, without notice, specifications or materials that in our opinion will not alter the function of the product. Specification sheets found at www.romaluce.it are the most recent versions and supercede all other printed or electronic versions.