

Objective

Flexyproof is the idea of having a homogenous continuous lighting effect line without any dots or dark zone. Our Flexyproof bendable and highly durable linear LED solutions – suitable for both indoor and outdoor applications. To achieve a uniform and diffused light output our Flexyproof range encapsulates LED strips with high-quality PCB & LED chips inside a flexible 4OZ case. The protective casing prevents UV damage, is waterproof, step proof, as well as flame and solvent-resistant. We offer a range of dimensions and color temperatures depending on the environment our fixture can be mounting as surface, recessed, and semi-recessed. Our Flexyproof is available in PVC versions using the best PU (Polyurethane) standards of material. The new range of silicone encapsulated Flexyproof is designed using high-grade silicone which enables it to withstand extreme temperatures. The silicone further prevents the build-up of dirt and dust, making it the first to come with a self-cleaning property.

Obiettivo

Flexyproof è l'idea di avere una linea omogenea di effetti di illuminazione continua senza punti o zone scure. Le nostre soluzioni LED lineari flessibili e altamente flessibili Flexyproof - adatte sia per applicazioni interne che esterne. Per ottenere un'emissione luminosa uniforme e diffusa, la nostra gamma Flexyproof incapsula strisce LED con PCB e chip LED di alta qualità all'interno di una custodia flessibile da 4 OZ. L'involucro protettivo previene i danni UV, è impermeabile, a prova di gradino, nonché resistente alla fiamma e ai solventi. Offriamo una gamma di dimensioni e temperature di colore in base all'ambiente in cui il nostro apparecchio può essere montato come superficie, incasso e semi-incasso. Il nostro Flexyproof è disponibile nelle versioni in PVC utilizzando i migliori standard di materiale PU (poliuretano). La nuova gamma di Flexyproof incapsulato in silicone è progettata con silicone di alta qualità che gli consente di resistere a temperature estreme. Il silicone impedisce inoltre l'accumulo di sporco e polvere, rendendolo il primo ad avere una proprietà autopulente.

Description

The fixture is made of Cooper string built with LED chips on parallel connection isolated with polyurethane PU. PVC, extrusion on shapes of tube where you have the function of bending on 2 sides anti-UV polyurethane filling and processing using irrigation method and sealing waterproofing glue, it not only ensures a high quality of lighting colour consistency but also protects outdoor products against harsh environments and high humidity. It can be used for facade lighting and guidance lighting outdoors, the higher CRI (90) delivers good performance of lighting in colour rendering.

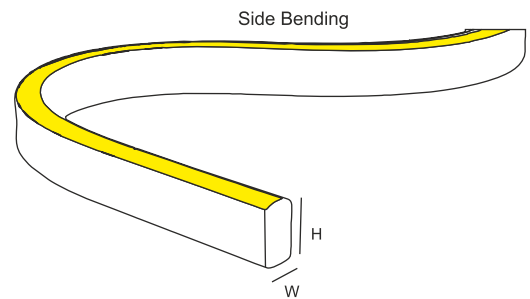
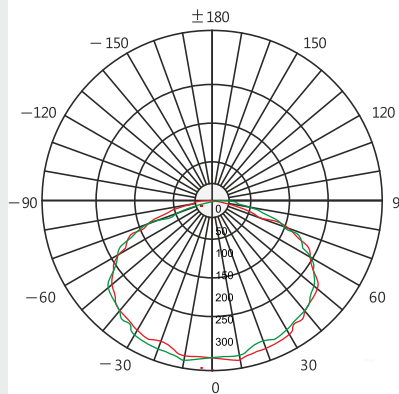
LED - reducing energy consumption with L80/B10/F10 50,000 hrs lifetime.

Standards - manufactured in accordance with EN 60598-1 and 60598-2-1

CODE	WATTAGE	LUMEN	SIZE mm	Max Length
7048204	4.8W	528lm	11.5 X 21H	10,000mm
7048209	9.6W	1056lm	11.5 X 21H	10,000mm
7048212	12W	1320lm	11.5 X 21H	10,000mm
7048214	14.4W	1584lm	11.5 X 21H	10,000mm



LED	ENERGY STAR	ECO
PHASE DIMMING	DALI	0-10 DIMMING
55°C	Glowing Wire Test - 850°	-25°C
IP 65	IK 08	UGR <22
IP 67		SDCM 2.0/3.0
IP 68		
CIDET	EAC	COMPLIANCE LM-79 TM-21 TM-80
PASEL ACCREDITATION	SMD	CRI >90
SELV	F	series wiring
CE	COMPLIANCE	U
A++	DC 24V	



120°	2700K	
	3000K	
	4000K	
	5000K	
	6000K	
	6500K	
RGB	RGBW	

LED Drivers - PHILIPS GTCI TRIDONIC | LED Chips - BRIDGELUX CREE SHARP SAMSUNG PHILIPS CITIZEN

In a continuing effort to offer the best product possible, we reserve the right to change, without notice, specifications or materials that in our opinion will not alter the function of the product. Specification sheets found at www.romaluce.it are the most recent versions and supercede all other printed or electronic versions.

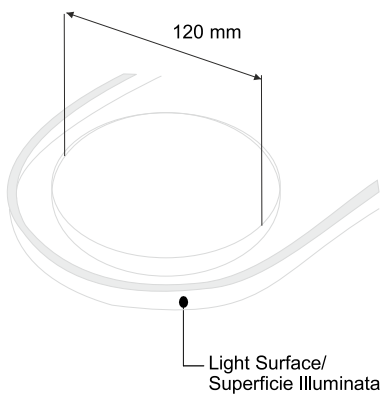
Accessories

2482BF	Bottom Feed Injection Moulded Front Connector with 2 wires and choice of wire length (0.3 - 1 - 3 - 5 - 10 meters)
2482EF	End Feed Injection Moulded Front Connector with 2 wires and choice of wire length (0.3 - 1 - 3 - 5 - 10 meters)
2482SF	Side Feed Injection Moulded Front Connector with 2 wires and choice of wire length (0.3 - 1 - 3 - 5 - 10 meters)
22482PL	Extruded aluminum profile with necessary screws and choice of length (0.5 - 1 - 2 meters)
2482BR	Self-locking anodized alumium profile (50mm, 1clip and 1 screw)
248212	Self-locking anodized alumium profile with necessary clips and screws (0.5 - 1 - 2 meters)



Installation Tips

Fig.1 Minimum bent diameter 120mm
Minimo diametro di curvatura: 120mm



Twist the light is forbidden. Correct bending way as illustrated.
Vietato torcere la strip. E' possibile curvarla come illustrato

Fig.2

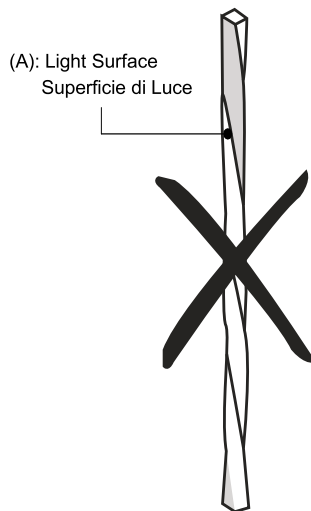
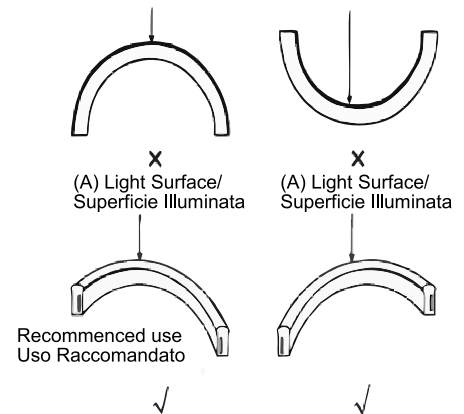


Fig.3 (A) Light Surface/ Superficie Illuminata (A) Light Surface/ Superficie Illuminata



It is forbidden to bend the light as shown in figure
E' proibito curvare la strip come mostrato in figura