

Objective

Furba LED COB light is unique designed to match all the requirements of professionalism and beauty. Short heatsink suitable for all kinds of installations. Aluminium profile provides excellent thermal dissipation. Isolated driver solution both in dimmable and non-dimmable version achieves stable working performance. Application: Suitable for commercial and residential applications like office, supermarket, shop, school, hotel, restaurant, workshop, warehouse, home etc.

Obiettivo

La luce di COB di Furba LED è unica progettata per soddisfare tutte le esigenze di professionalità e bellezza. Dissipatore di calore corto adatto a tutti i tipi di installazione. Il profilo in alluminio offre un'eccellente dissipazione termica. La soluzione driver isolata sia in versione dimmerabile che non dimmerabile garantisce prestazioni di lavoro stabili. Applicazione: adatto per applicazioni commerciali e residenziali come ufficio, supermercato, negozio, scuola, hotel, ristorante, officina, magazzino, casa ecc.

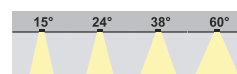
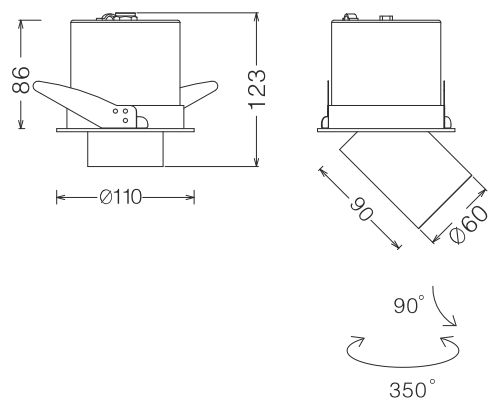
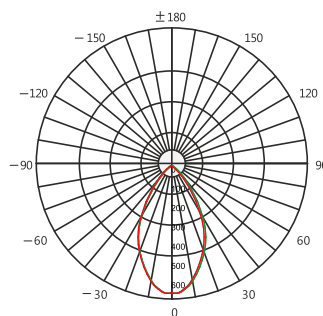
Description

- Housing** - Die cast aluminium powder coated with choice of RAL colors
- Diffuser** - Tempered clear glass.
- Reflector** - Tiles pattern reflector made by aluminium.
- LED** - reducing energy consumption with L80/B10/F10 50,000 hrs lifetime.
- Standards** - manufactured in accordance with tested as per PTPS IEC 62722

CODE	WATTAGE	LUMEN	SIZE mm	
53408112	12W	1560lm	Ø110 X 123 H	Ø100
53408118	18W	2340lm	Ø110 X 123 H	Ø100



PHASE DIMMING	DALI	1-10 DIMMING	
55°C	Glowing Wire Test - 850°		
-25°C			
IP 44	Adjusting	UGR <19	SDCM 2.0/3.0
		COMPLIANCE LM-79 TM-21 LM-80	
PASEL ACCREDITATION	COB	CRI >90	
	SELV		series wiring
A++	85~265V 50/60Hz		



- 2700K
- 3000K
- 4000K
- 5000K
- 6000K
- 6500K



LED Drivers - PHILIPS TRIDONIC | LED Chips - BRIDGELUX PHILIPS

In a continuing effort to offer the best product possible, we reserve the right to change, without notice, specifications or materials that in our opinion will not alter the function of the product. Specification sheets found at www.romaluce.it are the most recent versions and supercede all other printed or electronic versions.