

Objective

Elegant design and a choice of black, white and gold you can play with. The item is classy and functional, thanks to the LED advanced technology we can deliver a bright, pure, uniform light. The product's long life and the energy savings permitted thanks to the high quality LED and the high quality components, give to the item a very ecological character. The 360 degree movements ensures the freedom to decide anytime the most suitable light direction. Applications: malls, shops, libraries, museums, art galleries, restaurants.

Obiettivo

Elegante design ed una scelta di bianco, nero ed oro con cui divertirsi. L'articolo è di classe e funzionale, grazie all'avanzata tecnologia LED possiamo ottenere un aluce luminosa, pura ed uniforme. La lunga vita dell'articolo ed il risparmio energetico permessi dall'elevata qualità del LED e dei componenti, gli conferiscono un carattere davvero ecologico. I 360 gradi di movimento assicurano la libertà di decidere in ogni momento la direzione della luce preferita. Impieghi: centri commerciali, negozi, biblioteche, musei, gallerie d'arte, ristoranti.

Description

Housing - Die cast aluminium.

Diffuser - Optical lens with anti glare.

Reflector - Anodized aluminum with lower trim polished reflector.

Adaptor - Made of thermoplastic.

LED - reducing energy consumption with L80/B10/F10 50,000 hrs lifetime.

Standards - manufactured in accordance with tested as per PTPS IEC 62722

CODE	WATTAGE	LUMEN	SIZE mm
9101312	12W	1560lm	Ø60 X 90 X 156 H
9101315	15W	1950lm	Ø60 X 90 X 156 H
9101325	25W	3250lm	Ø60 X 90 X 156 H



LED

PHASE DIMMING DALI ECO

55°C
-25°C
Glowing Wire Test - 850°

IP 44 Adjustable UGR <19 SDCM 2.0/3.0

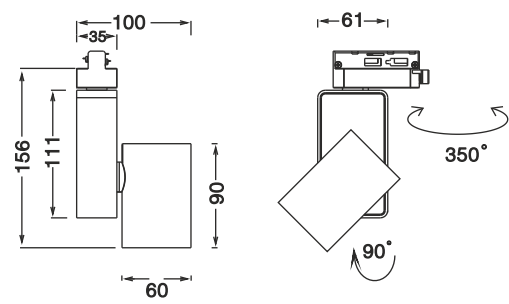
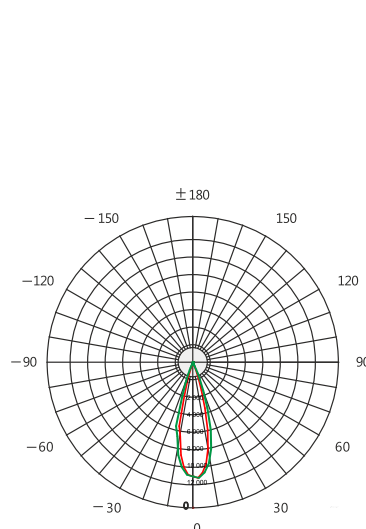
CIDET EAC COMPLIANCE LM-79 TM-21 LM-80

PASEL ACCREDITATION COB CRI >90

ROHS SELV F ENERGY STAR

CE COMPLIANCE U

A++ 85~265V 50/60Hz



15° 24° 36° 60°

2700K
3000K
4000K
5000K
6000K



LED Drivers - PHILIPS GTCI TRIDONIC LED Chips - BRIDGELUX CREE SHARP SAMSUNG PHILIPS CITIZEN

In a continuing effort to offer the best product possible, we reserve the right to change, without notice, specifications or materials that in our opinion will not alter the function of the product. Specification sheets found at www.romaluce.it are the most recent versions and supercede all other printed or electronic versions.