

**Objective**

Very functional in a minimal design, it's discreet but beautiful. The defined lines, sharp edges and the pure forms distinguish Traccia as the result of careful study of the potential of its materials and its shape. The result is a projector distinguished by its design and highly precise light emission. The LED source, studied to be high efficient, guarantees excellent performance and low consumptions. The choice of colours ensures the chance to make the luminaire even more stylish.

**Obiettivo**

Molto funzionale in un design minimalista, è discreta ma bellissima. Le linee definite, i contorni decisi e la sagoma pura distinguono Traccia come il risultato di attenti studi del potenziale materiali che la compongono e della sua forma. Il risultato è un proiettore che si distingue per il suo design e per l'alta precisione dell'emissione di luce. La sorgente LED, studiata per essere altamente efficiente, garantisce eccellenti prestazioni e bassi consumi. La scelta dei colori assicura l'opportunità di rendere la luminaria persino più di stile.

**Description**

- Housing** - Die cast aluminium with option of RAL powder coating finish.
- Diffuser** - Tempered glass or PMMA polycarbonate optical lens
- Adaptor** - Made of thermoplastic
- LED** - reducing energy consumption with L80/B10/F10 50,000 hrs lifetime.
- Standards** - manufactured in accordance with EN 60598-1 and 60598-2-1

CODE	WATTAGE	LUMEN	SIZE mm
9100308	08W	960lm	Ø55 X 170 X 159 H
9100312	12W	1440lm	Ø55 X 170 X 159 H
9100315	15W	1800lm	Ø55 X 170 X 159 H
9100325	25W	3000lm	Ø55 X 170 X 159 H



PHASE DIMMING

DALI

ECO

55°C

-25°C

IP 44

Adjustable

UGR <19

SDCM 2.0/3.0

COMPLIANCE

LM-78 TM-21

LM-80

PASEL ACCREDITATION

COB

CRI >90

SELV

RoHS

CE

COMPLIANCE

U

A++

85-265V

50/60Hz

LED

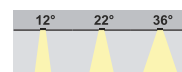
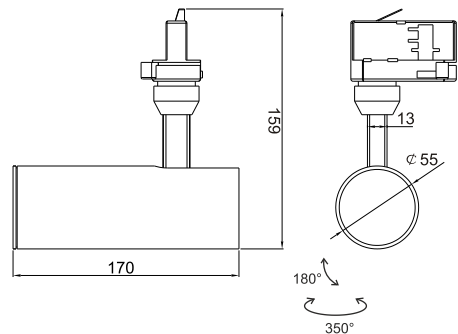
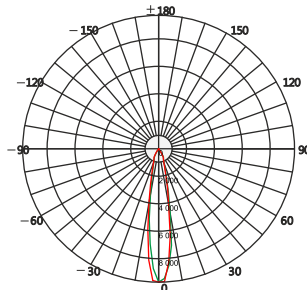
Glowing Wire Test - 850°

COMPLIANCE

LM-78 TM-21

LM-80

ENERGY STAR



- 2700K
- 3000K
- 4000K
- 5000K
- 6000K
- 6500K



LED Drivers - PHILIPS GTI MEAN WELL GTCI TRIDONIC LED Chips - BRIDGELUX CREE SHARP SAMSUNG PHILIPS CITIZEN

In a continuing effort to offer the best product possible, we reserve the right to change, without notice, specifications or materials that in our opinion will not alter the function of the product. Specification sheets found at [www.romaluce.it](http://www.romaluce.it) are the most recent versions and supercede all other printed or electronic versions.