

Objective

Shielded bollards with flat beam light distribution on one side. Luminaires which illuminate the ground surfaces directly in front of their installation site with a flat beam. Their light distribution allows the luminaires to be spaced far apart and is particularly suitable for illuminating footpaths and squares. We can supply these luminaires in two sizes and in different heights for the differing dimensions of the installation site.

Obiettivo

Dissuasori schermati con distribuzione della luce a fascio piatto su un lato. Apparecchi che illuminano le superfici del terreno direttamente davanti al loro sito di installazione con una trave piatta. La loro distribuzione della luce consente di distanziare gli apparecchi distanti ed è particolarmente adatto per l'illuminazione di sentieri e piazze. Siamo in grado di fornire questi apparecchi di illuminazione in due dimensioni e in diverse altezze per le diverse dimensioni del sito di installazione.

Description

Housing - Made of die cast aluminum powder coated with choice of RAL color

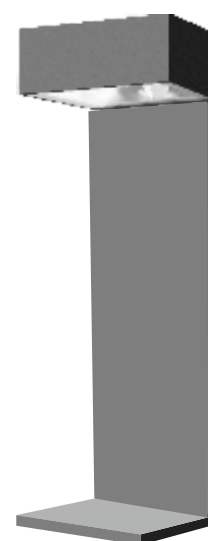
Diffuser - Transparent tempered glass diffuser specially for LED

Reflector - Polished white aluminum reflector

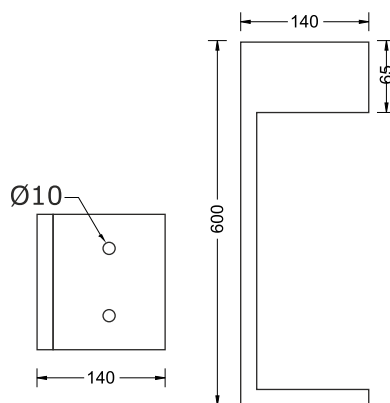
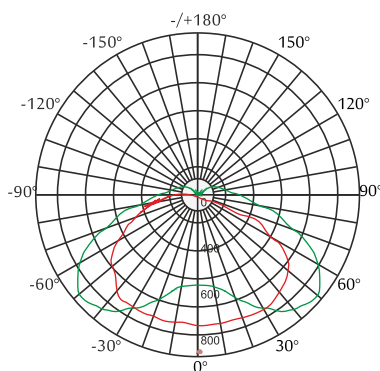
LED - reducing energy consumption with L80/B10/F10 50,000 hrs lifetime.

Standards - manufactured in accordance with tested as per PTPS IEC 62722

CODE	WATTAGE	LUMEN	SIZE mm
1333311	11W	1155lm	140 X 89 X 600H
1333411	11W	1155lm	140 X 89 X 1000H



LED	ENERGY STAR	ECO
PHASE DIMMING	DALI	1-10 DIMMING
65°C	Glowing Wire Test - 850°	
-20°C	IP 65	IK 08
UGR <22	SDCM 2.0/3.0	COMPLIANCE LM-79 TM-21 LM-80
CIDET	EAC	
PASEL ACCREDITATION	SMD	CRI >90
SELV	series wiring	
ROHS		
CE	COMPLIANCE	U
A++	220~265V	50/60Hz



- 2700K
- 3000K
- 4000K
- 5000K
- 6000K
- 6500K



LED Drivers - PHILIPS GTCI MEAN WELL GTCI TRIDONIC LED Chips - BRIDGELUX CREE SHARP SAMSUNG PHILIPS CITIZEN

In a continuing effort to offer the best product possible, we reserve the right to change, without notice, specifications or materials that in our opinion will not alter the function of the product. Specification sheets found at www.romaluce.it are the most recent versions and supercede all other printed or electronic versions.