

Objective

Classic design and wide opal diffuser to deliver a suffused, natural and pleasant light effect all over the garden area. The installation of this item should be on the fencing or over a decorative column. The LED system ensures high lighting performance while saving energy and money. The certified IP65 is able to deliver excellent performance even in very difficult weather conditions.

Obiettivo

Design classico e ampio diffusore opale per un effetto soffuso, naturale e piacevole in tutta l'area del giardino. L'installazione di questo oggetto dovrebbe essere sulla recinzione o su una colonna decorativa. Il sistema LED garantisce alte prestazioni di illuminazione risparmiando energia e denaro. L'IP65 certificato è in grado di fornire prestazioni eccellenti anche in condizioni climatiche molto difficili.

Description

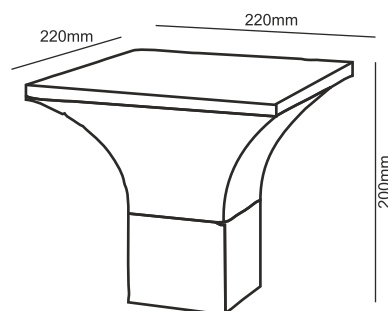
Housing - Made of die cast aluminum powder coated with choice of RAL color

Diffuser - Opal polycarbonate diffuser specially for LED

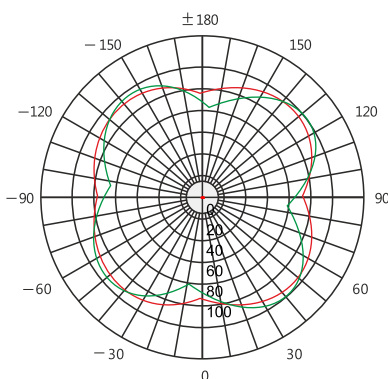
Standards - manufactured in accordance with tested as per PTPS IEC 62722

Supplied with surface mounted screw kit and also this product can be use as top wall mounted or top of bollard poles.

CODE	WATTAGE	LUMEN	SIZE mm
1617908	8W	760lm	220 X 220 X 200 H
1617912	12W	1140lm	220 X 220 X 200 H
1617914	14W	1260lm	220 X 220 X 200 H



LED	ENERGY STAR	ECO
55°C	Glowing Wire	
-25°C	Test - 850°	
IP 65	IK 08	UGR <21
		SDCM 2.0/3.0
CIDET	EAC	COMPLIANCE
		LM-79 TM-21
PASEL ACCREDITATION	SMD E27	CRI >90
		series wiring
RoHS	SELV	F
		series wiring
CE	COMPLIANCE	U
A++	185-265V	50/60Hz



360°

2700K
3000K
4000K
5000K
6000K
6500K

LED Drivers - PHILIPS GTCI MEAN WELL GTCI TRIDONIC LED Chips - BRIDGELUX CREE SHARP SAMSUNG PHILIPS CITIZEN

In a continuing effort to offer the best product possible, we reserve the right to change, without notice, specifications or materials that in our opinion will not alter the function of the product. Specification sheets found at www.romaluce.it are the most recent versions and supercede all other printed or electronic versions.