

**Objective**

Perfect for warehouse lighting, workshop lighting, factory lighting, tunnel lighting, supermarket lighting, big-box retail lighting or landscape, and more: this compact LED high-bay shines brightly in reliability and performance in critical circumstances. Using powerful LEDs, Marte emits up to 30800 lumens of bright natural white light. The high watt LED light is comparable to a 500 watt metal-halide (MH) fixture. And with a life expectancy that's 3 times as long as MH fixtures, the LED light reduces costly repairs and the need for replacements.

**Obiettivo**

Perfetto per illuminazione di magazzino, illuminazione di officine, illuminazione di fabbrica, illuminazione di tunnel, illuminazione di supermercati, illuminazione di negozi di grandi dimensioni o paesaggio, e altro ancora: questo LED compatto ad alta luminosità brilla in affidabilità e prestazioni in circostanze critiche. Utilizzando potenti LED, Marte emette fino a 30800 lumen di luce bianca naturale brillante. La luce a LED da alto watt è paragonabile a un apparecchio a ioduri metallici da 500 watt (MH). E con un'aspettativa di vita che è 3 volte più lunga degli apparecchi MH, la luce LED riduce le riparazioni costose e la necessità di sostituzioni.

**Description**

**Housing** - Made of die cast aluminum housing with extruded aluminum heat sink equipped with rubber gasket for weatherproof and high humidity area application

**Diffuser** - Clear tempered glass with PMMA optical lens specially for LED

**LED** - reducing energy consumption with L90/B10/F10 50,000 hrs lifetime.

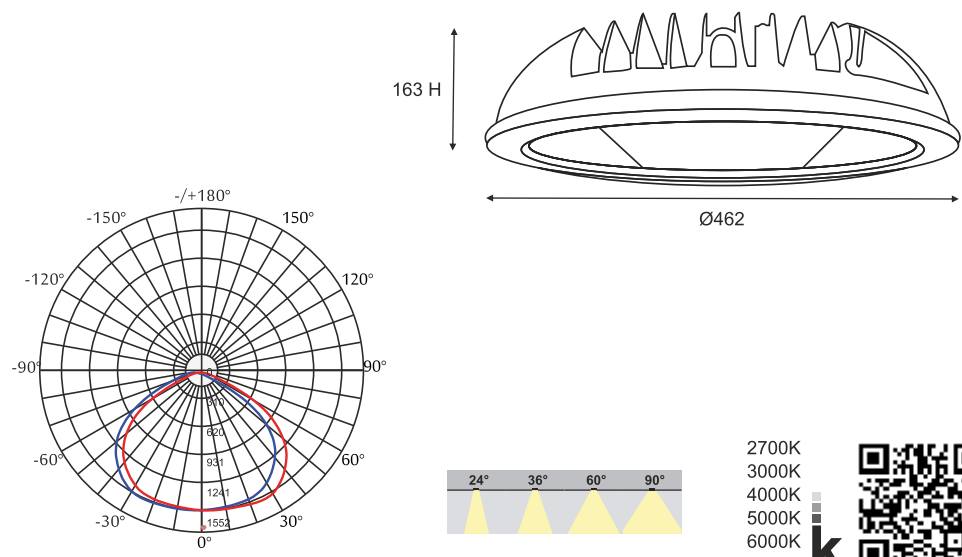
**Standards** - manufactured in accordance with EN 60598-1 and 60598-2-1

**Accessories** - Hanging chain kit

CODE	WATTAGE	LUMEN	SIZE mm
17035094	94W	13160lm	Ø462 X 163 H
17035125	125W	17500lm	Ø462 X 163 H
17035187	187W	26180lm	Ø462 X 163 H
17035220	220W	30800lm	Ø462 X 163 H



LED	ENERGY STAR	ECO
PHASE DIMMING	DALI	1-10 DIMMING
55°C	Glowing Wire Test - 850°	
-25°C		
IP 66	IK 08	UGR <22
		SDCM 2.0/3.0
CIDET	EAC	COMPLIANCE LM-79 TM-21 (TM-80)
PASEL ACCREDITATION	HP SMD	CRI >90
SELV	series wiring	
ROHS		
CE	COMPLIANCE	
A++	85-265V	50/60Hz



- 2700K
- 3000K
- 4000K
- 5000K
- 6000K
- 6500K



LED Drivers - PHILIPS **GTI** **MEAN WELL** **ATCI TRIDONIC**

In a continuing effort to offer the best product possible, we reserve the right to change, without notice, specifications or materials that in our opinion will not alter the function of the product. Specification sheets found at [www.romaluce.it](http://www.romaluce.it) are the most recent versions and supercede all other printed or electronic versions.