

**Objective**

Designed in a creative carrier buckle extremely convenient for installation and maintenance. Aluminum profile with high-quality surface treatment and three optional colors of black, white, and silver. Specially designed light source with PC diffusers producing homogenous & soft lighting. Super free connection: 180 ° extender, "L-", "T-" and "X-" type light corner Installation way: recessed trim

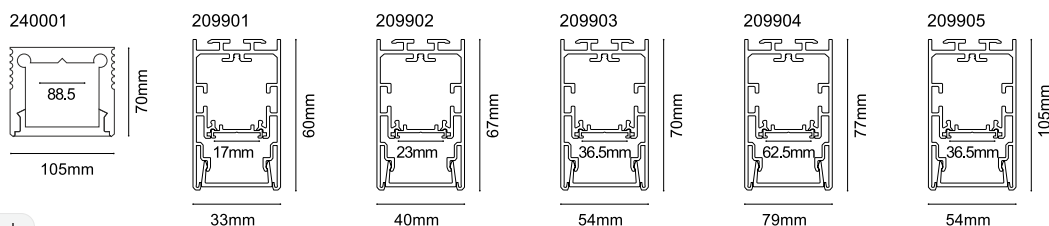
**Obiettivo**

Progettato con una fibbia portante creativa estremamente conveniente per l'installazione e la manutenzione. Profilo in alluminio con trattamento superficiale di alta qualità e tre colori opzionali di nero, bianco e argento. Sorgente luminosa appositamente progettata con diffusori per PC che producono un'illuminazione omogenea e morbida. Collegamento super libero: prolunga a 180 °, angolo luminoso tipo "L-", "T-" e "X-" Modo di installazione: cornice ad incasso

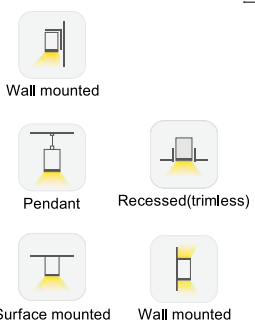
**Description**

**Housing** - 6063 alloy used for aluminum extruded. It allows complex shapes to be formed with very smooth surfaces fit for anodizing and so is popular for visible architectural applications. This aluminum profile can be manufactured with maximum length 5000mm and it has several mounting accessories as suspension kit, surface kit and recessed kit.

**Diffuser** - PMMA opal, clear or prismatic



**Applications**



**Essentials**

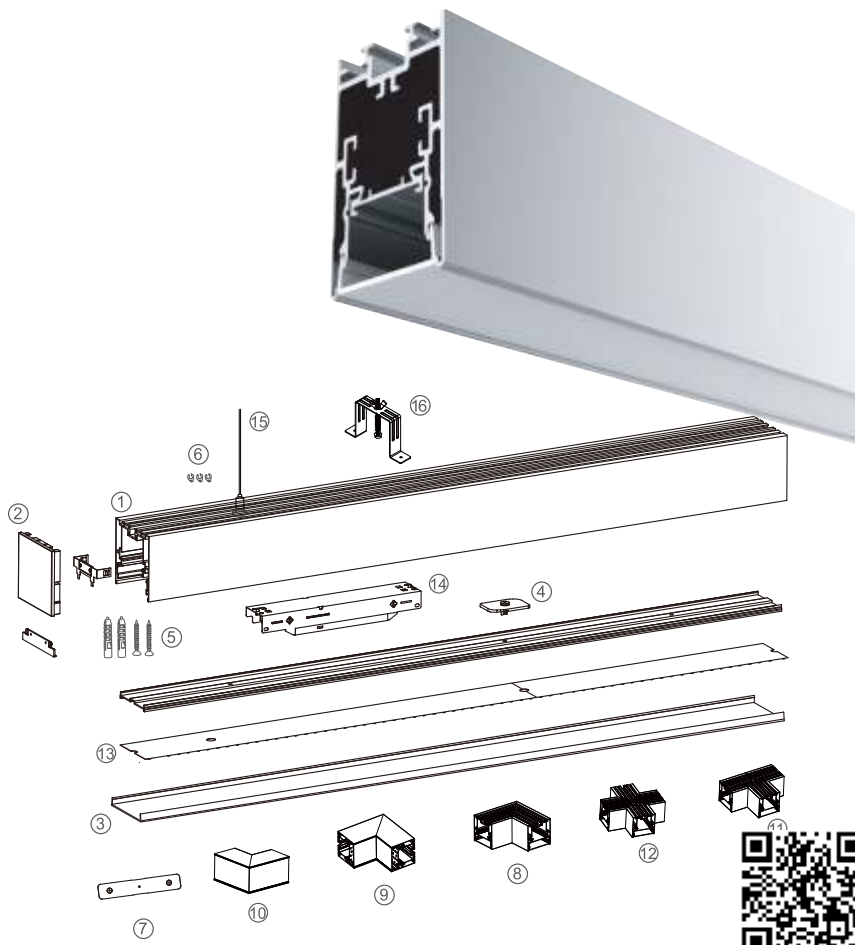
- 1- Profile x 1
- 2- End caps x 2
- 3- Diffuser x 1
- 4- Carrier clip x 4
- 5- Surface-mounted screws x 3
- 6- Cable clip

**Connectors**

- 7- 180° extender
- 8- L connector
- 9- L interior connector
- 10- L exterior connector
- 11- T connector
- 12- X connector
- 13- Flexible strip / rigid modular
- 14- Power supply

**Installation**

- 15- Pendant accessories with junction box / pedant accessories
- 16- Recessed accessories without trim



In a continuing effort to offer the best product possible, we reserve the right to change, without notice, specifications or materials that in our opinion will not alter the function of the product. Specification sheets found at [www.romaluce.it](http://www.romaluce.it) are the most recent versions and supercede all other printed or electronic versions.