

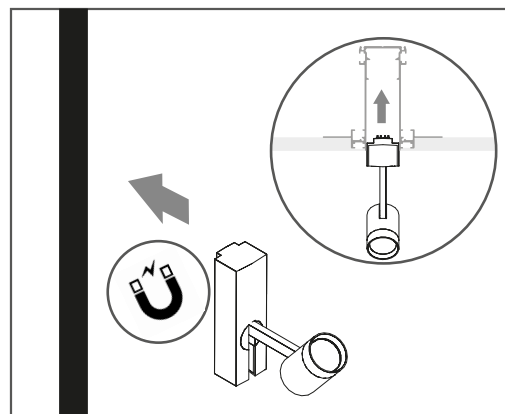
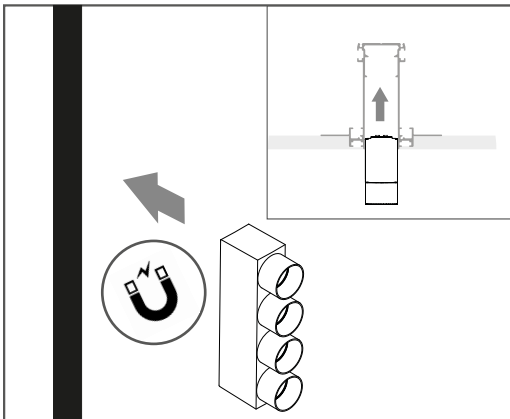


INSTALLATION MANUAL MAGNETE, FIXTURES

Safety tips before starting

- *Let always an expert/authorized technician make the installation.
- *Before you start please shut off the power to prevent electric shock.
- *The products with energetic class II do not require the Earth / Ground connection so please do not connect the neutral if is not required. Instead, if the item is class energetic I, please do connect the neutral to Earth.
- *Consider always to leave some space for the heat sink of the led device, it need it to cool down after use
- *Do not connect any Led device without its recommended driver
- *Your individual product may vary from the design shown in the pictures
- *Do not disassemble your product
- *If any modification is made in the item or any wrong installation cause any damage to it, the warranty will be invalidated.

Fixtures Magnete installation into suitable Profilo Magnete



All fixtures of the magnete (magnetic) series works with magnet, so their installation into the profile is very easy: it needs only to position the light as desired and push it up/inside into the track profile till the end.

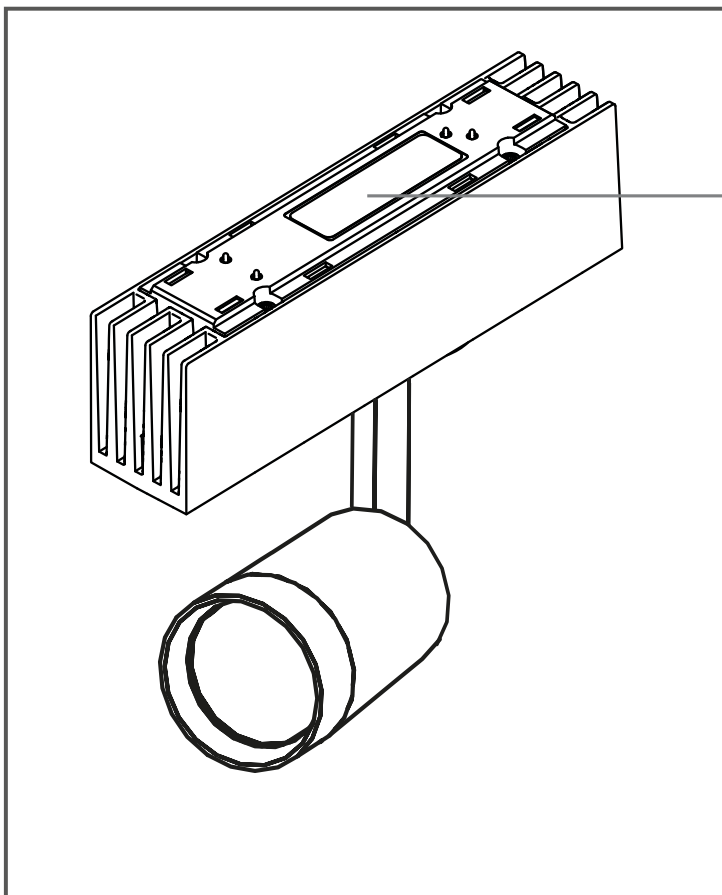
Please note the intallation process remains unchanged for every tipe of system: on/off (switch), DALI, 2.4G Dimmable and 0-10V Dimmable.

Thanks for your purchase !



INSTALLATION MANUAL MAGNETE, FIXTURES

Fixtures Magnete technical brief



Each Fixture is equipped with a DC/DC converter device carrying the control function.

This is what permits to control each light fixture individually even if mounted in the same unit track profile.

Each dimming option available will be possible through this device as well: 0-10V, DALI, 2.4G (wireless).

Please note although all the fixtures works with 48V DC input, so they can work properly only when mounted in suitable track profile.

*Additional note: because of the converter capacity, full dimmable system is applicable up to 22W fixtures only.

Thanks for your purchase !