

**Objective**

Perfect for commercial lighting, warehouse lighting, parking garage lighting, tunnel lighting, supermarket lighting, and more. The powerful LEDs strip light fixture uses few watts and emits high lumen level of natural white illumination. And with a life expectancy that's 5 times longer than fluorescent fixtures, the LED light reduces costly repairs, disposal fees, and the need for replacements. The aluminium housing and the high quality polycarbonate diffuser are dust tight as well as water and impact resistant.

**Obiettivo**

Perfetto per illuminazione commerciale, illuminazione di magazzini, illuminazione di garage, illuminazione di tunnel, illuminazione di supermercati e altro ancora. Il potente apparecchio a LED strip strip utilizza pochi watt ed emette un alto livello di lumen di illuminazione bianca naturale. E con un'aspettativa di vita 5 volte più lunga rispetto agli apparecchi fluorescenti, la luce LED riduce le costose riparazioni, i costi di smaltimento e la necessità di sostituzioni. L'alloggiamento in alluminio e il diffusore in policarbonato di alta qualità sono resistenti alla polvere e all'acqua e agli urti.

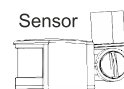
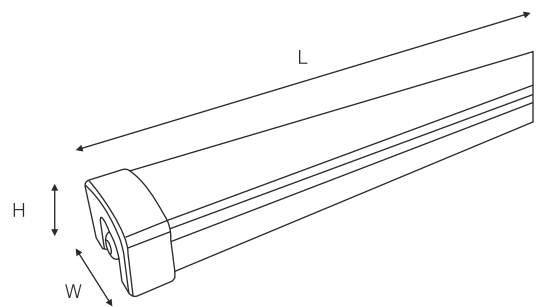
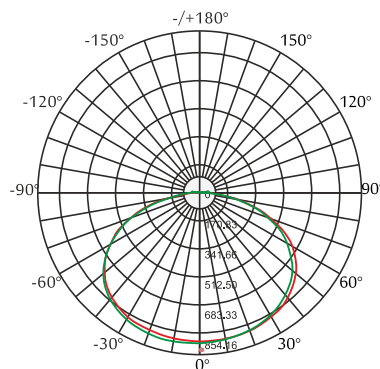
**Description**

- Housing** - Extruded anodized aluminum with PC end cap cover.
- Diffuser** - Made of PMMA Polycarbonate shock proof diffuser specially for LED
- Reflector** - Back polished aluminium sheet.
- LED** - reducing energy consumption with L80/B10/F10 50,000 hrs lifetime.
- Standards** - manufactured in accordance with EN 60598-1 and 60598-2-1
- Accessories** - Suspension kit, Remote sensor kit, 3Hrs emergency kit.

CODE	WATTAGE	LUMEN	SIZE mm
1705218	18W	2070lm	600 X 73 X 60 H
1705229	29W	3335lm	900 X 73 X 60 H
1705236	36W	4140lm	1200 X 73 X 60 H
1705247	47W	5405lm	1200 X 73 X 60 H
1705254	54W	6210lm	1500 X 73 X 60 H
1705268	68W	7820lm	1500 X 73 X 60 H



LED	EMERGENCY	ECO	DIFFERENT LENGTH
PHASE DIMMING	DALI	1-10 DIMMING	
55°C	Glowing Wire Test - 850°		
-25°C	IP 66	IK 08	UGR <19
			SDCM 2.0/3.0
CIDET	EAC	COMPLIANCE LM-79 TM-21 LM-80	
PASEL ACCREDITATION	SMD	CRI >90	
ROHS	SELV	F	series wiring
CE	COMPLIANCE	U	
<b>A++</b>		85-265V 50/60Hz	



- 2700K
- 3000K
- 4000K
- 5000K
- 6000K
- 6500K



LED Drivers - PHILIPS GTI MEAN WELL GTCI TRIDONIC LED Chips - BRIDGELUX CREE SHARP SAMSUNG PHILIPS CITIZEN

In a continuing effort to offer the best product possible, we reserve the right to change, without notice, specifications or materials that in our opinion will not alter the function of the product. Specification sheets found at www.romaluce.it are the most recent versions and supercede all other printed or electronic versions.